

The Smart Sponge Stormwater Solution

Opportunities for Federal Funding for Local Projects

Webcast Presentation to Local Governments
from AbTech Industries & The Ferguson Group
March 19, 2009



Today's Presenters

- Matt Ward, The Ferguson Group
- Glenn Rink, President & CEO of AbTech Industries
- Tom Leary, Director of Stormwater Programs, City of Long Beach, CA

Presentation Overview & Objectives

- Objective – Help local governments pursue federal and state funding to support green infrastructure & stormwater solutions
- Explain the Smart Sponge® solution to stormwater pollution
- Review three case studies
- Explore federal/state funding opportunities under EPA, Department of Transportation, Corps of Engineers, USDA & other agencies
- Explain how you can connect with AbTech Industries to pursue these opportunities
- Provide time for Q&A

Smart Sponge[®] Technology

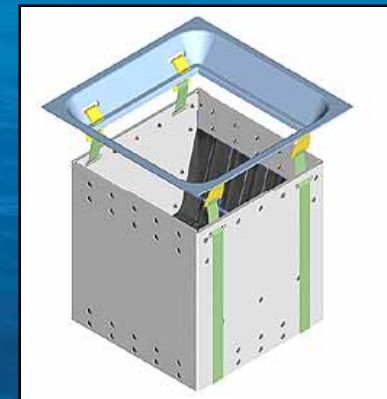
Smart Sponge[®] is an innovative, patented non-toxic filter media that:

- Removes or eliminates contaminants such as hydrocarbons & bacteria at the street level on contact with limited or no infrastructure
- Is deployed in specific quantities based on engineering calculations
- Can be deployed in catch basins or end-of-pipe vaults, and in combination with other green infrastructure
- Provides solutions that can help reduce beach closures
- Utilizes non-invasive technology that requires no electricity or moving parts, is low-maintenance, and is recyclable.
- Fully encapsulates recovered oil, preventing it from leaching or leaking back into the environment

Recognized as an EPA Best Management Practice:

“The Ultra-Urban Filter is an innovative, low cost Best Management Practice (BMP) designed to meet National Pollution Discharge Elimination System (NPDES) requirements for non-point source pollution control.”

[EPA Home](#) | [EPA NE Home](#) | [Search](#) | [Contact Us](#) | [Help](#)



http://www.epa.gov/region01/steward/ceit/tech_cos/abtech.html

Product Line Overview

- Ultra-Urban[®] Filters
- Smart PAK[®] for end of pipe vault applications
- Stormwater Antimicrobial Treatment System (SWAT)

Peripheral Products

- Passive Skimmers
- Line Skimmers/Booms
- Monitoring Well Skimmers
- Trash & Debris Guard

Ultra-Urban[®] Filter with Smart Sponge[®] Inside

- Treats stormwater runoff for new or retrofitted sites such as:
 - Municipal or industrial stormwater
 - Parking lots
 - Commercial or residential developments
- Ideal solution for trash, debris, oil & bacteria
- Easy installation and maintenance
- Example – 275 catch basins in Norwalk, CT; pilot funded with congressional & EPA funds, and now seeking more federal funding support



Ultra-Urban[®] Filter – Curb Opening Installation

Case Study from Tom Leary, City of Long Beach, CA Stormwater Manager



Smart PAK[®] with Smart Sponge[®] Inside

- Efficient end of pipe treatment for new or existing vaults
- Variable sizing based on flow & contamination levels
- Addresses trash & sediment, absorbs hydrocarbons, and inactivates bacteria
- Example – Village of Babylon, NY installs Smart PAK in 93 outfall pipes to protect beaches and water quality on Long Island Sound



Smart Pak® End of Pipe Vault



SWAT with Smart Sponge® Inside

- Full, scalable turn-key solution designed to remove contaminants from stormwater runoff
- Ideal end-of-pipe approach for large scale vaults or underground chambers
- Flexible design makes it ideal for either new or retrofit applications
- Huge economic benefit compared to traditional UV systems and or redirecting to water treatment plants
- Can meet Req-1 fishable/swimmable water standards
- Example s– Riverside, CA (shown); Rochester, NY obtains EPA funding to help contaminated Durand-Eastman Beach on Lake Ontario



SWAT with Smart Sponge® Inside



Questions & Discussion

Please type in any questions or comments

Federal Funding Opportunities

- Local governments are eligible entities for many federal funding streams
- Locality would be the lead in pursuing this funding, in partnership with AbTech
- Every funding program has unique purposes, criteria, and process. Programs typically have non-federal matching requirements
- There are opportunities now under federal stimulus, and more opportunities coming in the short-term



Potential Federal Funding Sources – EPA

- Environmental Protection Agency (EPA)
 - Stimulus SRF loans, grants & Green Reserve funds – happening now!
See www.epa.gov/water/eparecovery/docs/2009-03-02_Final_ARRA_SRF_Guidance.pdf
 - \$4 billion, distributed to state DEPs
 - EPA requires states to craft or update “Intended Use Plans” (priority lists); localities must apply
 - 50% of state funding must be in non-loan subsidies; 20% for “green infrastructure” and “innovative approaches”
 - Typically 45% match requirements (but depends on state)
 - STAG earmarks
 - Local government requests to Representative / Senators
 - 45% matching
 - Section 319 non-source pollution funding to states for demo projects (see State leads at www.epa.gov/owow/nps/state_nps_coord.pdf)
 - More info: www.epa.gov/owow/funding/governments.html

Potential Federal Funding Sources – DOT

- DOT Federal Highway Administration (FHWA)
 - Federal Aid-Highway funding & Surface Transportation Project funding can be used for stand-alone stormwater mitigation projects, and can comprise 20% of resurfacing or other routine maintenance projects. See www.fhwa.dot.gov/hep/envrestore.htm
 - Available through State DOT formula & “transportation enhancements” (including \$27.5B in stimulus now)
 - Available through congressional DOT earmarks
 - Available through next SAFETEA-LU law (\$450+ billion), likely taking place in Congress in coming year. AbTech will seek innovative stormwater program in next TEA bill.

Potential Federal Funding Sources – USDA

- USDA Natural Resources Conservation Service (NRCS)
 - Rural Watershed Program funds can be used for watershed protection; water quality improvements; rural, municipal, and industrial water supply; sediment control; and other purposes.
 - Potential Smart Sponge uses – urban/agriculture interface with stormwater impacts on irrigation waters; treatment of irrigation waters for bacteria removal
 - \$290M in stimulus now, plus normal year program grants

Potential Federal Funding Sources – Army Corps of Engineers

- U.S. Army Corps of Engineers
 - Projects created almost entirely through congressional earmarks
 - Section 206 aquatic ecosystem restoration – often used for stormwater management & green infrastructure projects
 - Section 219 environmental infrastructure
- New Section 206 & Section 219 opportunities in next Water Resource Development Act (moving this coming year)

Upcoming Federal Funding Sources

- Clean Water SRF
 - Obama FY10 budget proposes substantial increases
 - House slated to vote on \$13.8 billion, 5-year funding package with significant new flexibility including grants
 - Stormwater control increasingly favored in Clean Water funding
- Nationally significant waterbody funding
 - House proposes \$750M for Great Lakes Legacy Act, which includes stormwater control projects; Obama FY10 budget proposes \$425M for same program
 - Long Island Sound Restoration Act funding (TBD)
 - Chesapeake Bay Program and Targeted Watershed Grants (TBD)

Tips for Pursuing Resources

- Should submit local stormwater projects to State Clean Water SRF and local/state Transportation priority lists
- Did you already submit stormwater projects for stimulus or other federal/state funding through EPA, Corps, DOT or USDA? This can support Smart Sponge® deployments.
- Consider pursuing upcoming grant, congressional-directed earmarks, WRDA projects, or TEA transportation projects
- AbTech and The Ferguson Group are ready to help you pursue these opportunities

Next Steps on a Public-Private Partnership

- If you are interested in Smart Sponge® deployments, contact AbTech's Ray Reed at rreed@abtechindustries.com or 800-545-8999 , or visit www.abtechindustries.com
- For support in pursuing federal funding for stormwater projects, contact consultant Matt Ward at The Ferguson Group at mward@tfgnet.com, or (202) 331-8500, or visit www.federalfunding.net and www.fergusongroup.us

Questions & Discussion

Please type in questions or comments